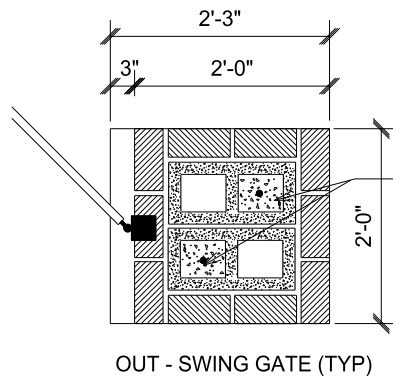


POURED CELL AND #5 REBAR.
FOR DRY - STACKED BLOCK POUR
ALL CELLS.



POURED CELL AND #5 REBAR.
FOR DRY - STACKED BLOCK POUR
ALL CELLS.

NOTE: THESE DRAWINGS ARE FOR REFERENCE ONLY. PLEASE CHECK LOCAL BUILDING CODES. CODE COMPLIANCE AND PROPER ENGINEERING ARE THE RESPONSIBILITY OF THE HOMEOWNER OR INSTALLING CONTRACTOR. BERLIN ARCHITECTURAL DRAFTING INC. ACCEPTS NO LIABILITY OR RESPONSIBILITY FOR IMPROPERLY INSTALLATION OR CONSTRUCTION.

BERLIN ARCHITECTURAL DRAFTING
INCORPORATED
15619 PREMIERE DR. SUITE 103 TAMPA, FL 33624
sales@berlindrafting.net (813) 968-8038

GATECRAFTERS.COM
13100 STATE RD. 54
ODESSA, FL 33556

www.gatecrafters.com
sales@gatecrafters.com
1-800-537-GATE